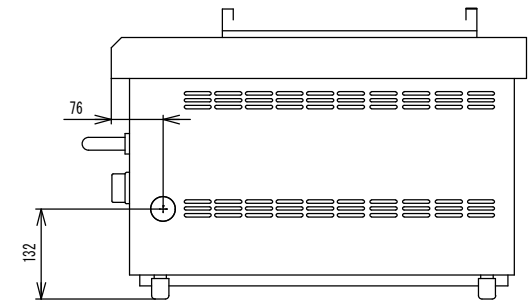
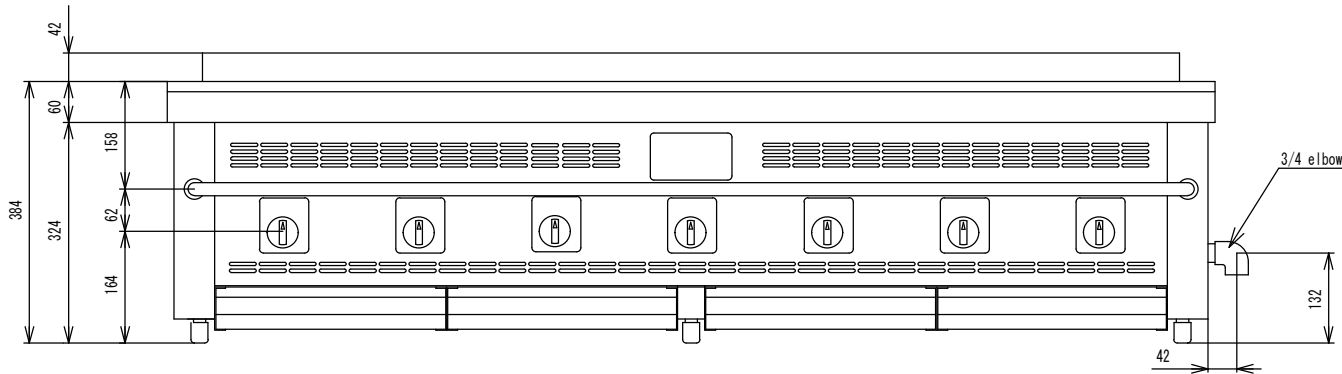
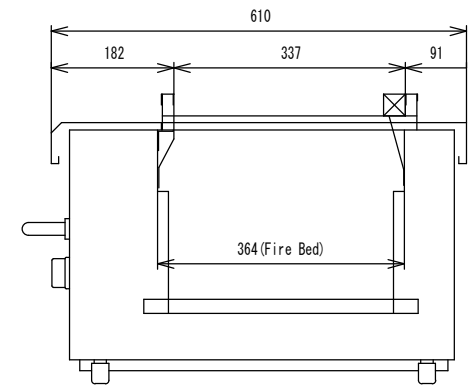


Name of Model		KA-155G	
Dimension (mm)	Width	1,540	
	Length	610	
	Height	384	
Gas Consumption	Naturalgas	36.6 KW	
	LPG	36.6 KW	
Ignition		Piezo spark ignition	
Gas connection (Inside Dia.)	Naturalgas	3/4 elbow	
	LPG	3/4 elbow	
Weight (Kg)		105 Kg	
Clearance from flammable materials (cm)	Around the griller	upper	hood
		side	20
		back	15
		front	_____
Structure of a Floor		Structure of non-combustible	



Kosei Kogyou Co.

Name of Product:

Kosei Charcoal Griller

Model

KA-155G type