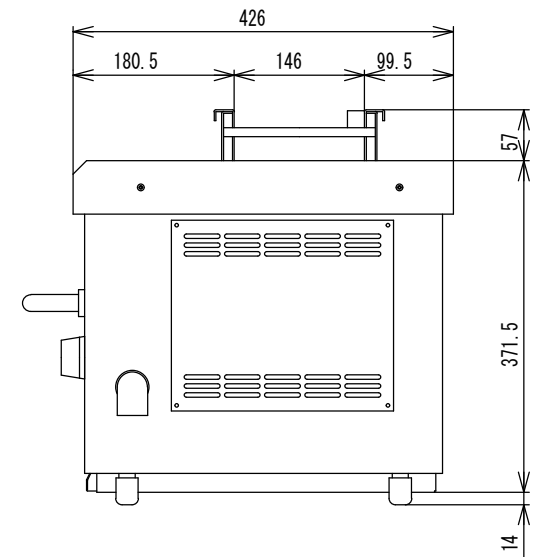
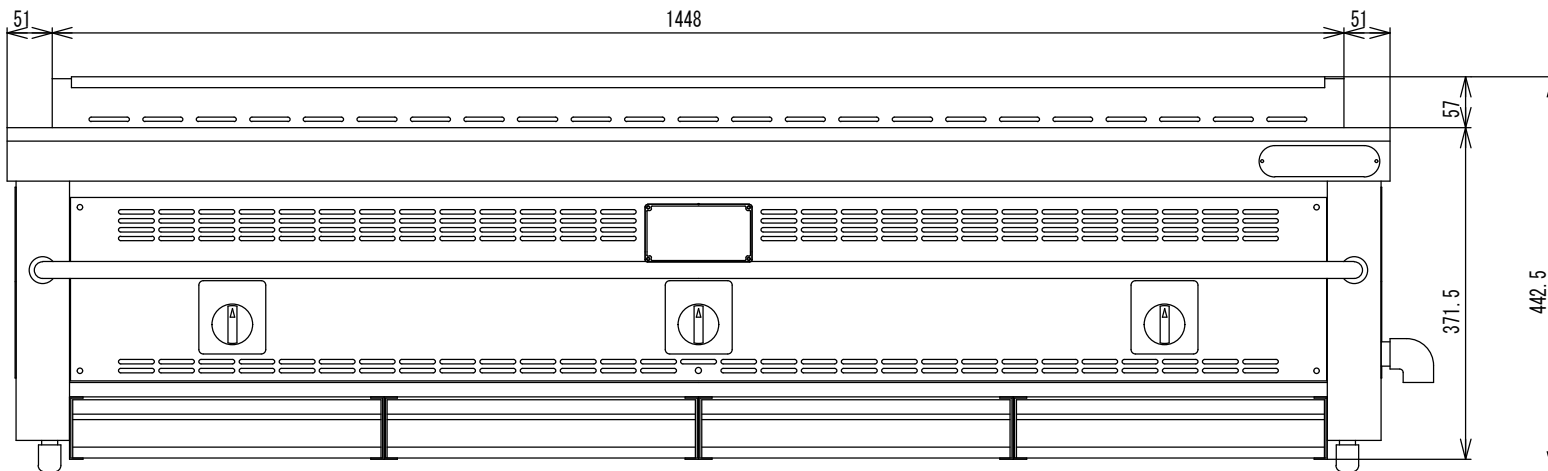


Name of Model		KY-155KL	
Dimension (mm)	Width	1,550	
	Length	426	
	Height	385	
Gas Consumption	Naturalgas	21.0 KW	
	LPG	21.0 KW	
Ignition		Piezo spark ignition	
Gas connection (Inside Dia.)	Naturalgas	3/4 elbow	
	LPG	3/4 elbow	
Weight (Kg)			
Clearance from flammable materials (cm)	Around the griller	upper	hood
		side	20
		back	15
		front	_____
Structure of a Floor		Structure of non-combustible	



Kosei Kogyou Co.

Name of Product:
Kosei Charcoal Griller

Model
KY-155KLtype