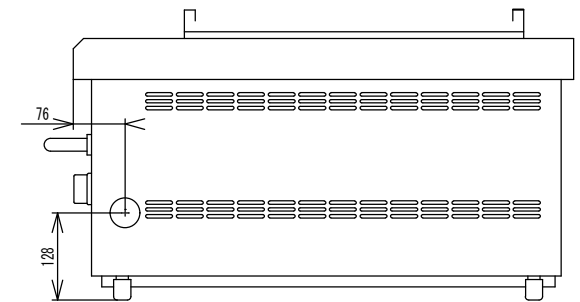
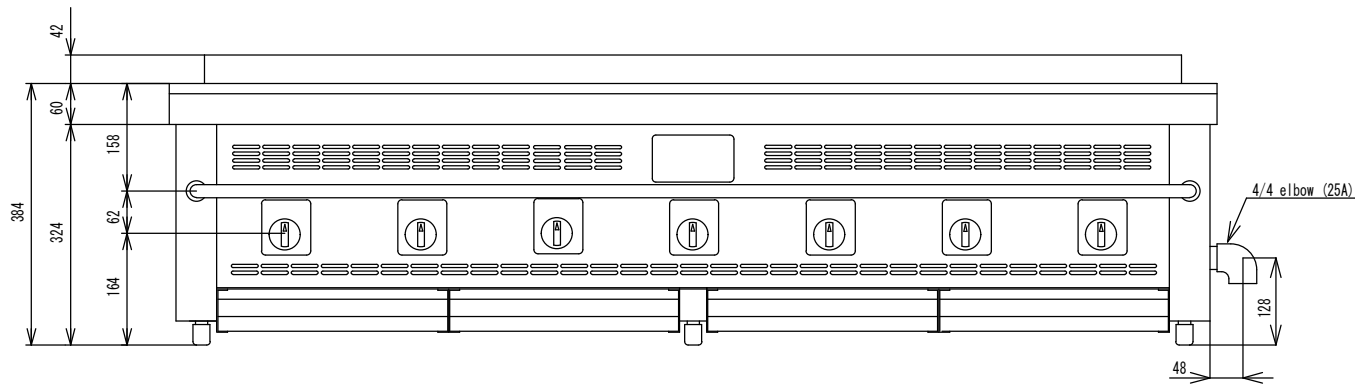
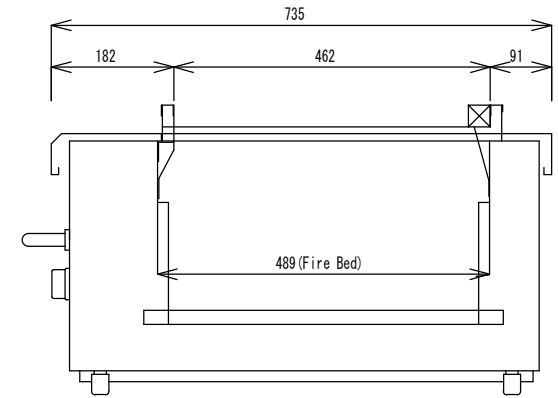


Name of Model		KAW-155G	
Dimension (mm)	Width	1,540	
	Length	735	
	Height	384	
Gas Consumption	Naturalgas	51.3 KW	
	LPG	51.3 KW	
Ignition		Piezo spark ignition	
Gas connection (Inside Dia.)	Naturalgas	4/4 elbow (25A)	
	LPG	4/4 elbow (25A)	
Weight (Kg)			
Clearance from flammable materials (cm)	Around the griller	upper	hood
		side	20
		back	15
		front	_____
Structure of a Floor		Structure of non-combustible	



Kosei Kogyou Co.

Name of Product:

Kosei Charcoal Griller

Model

KAW-155G type