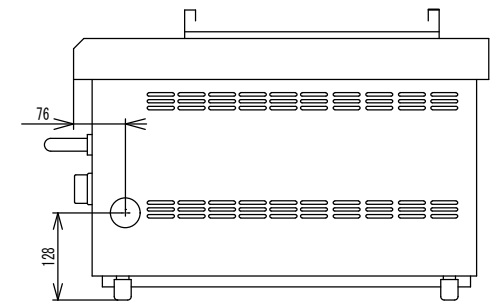
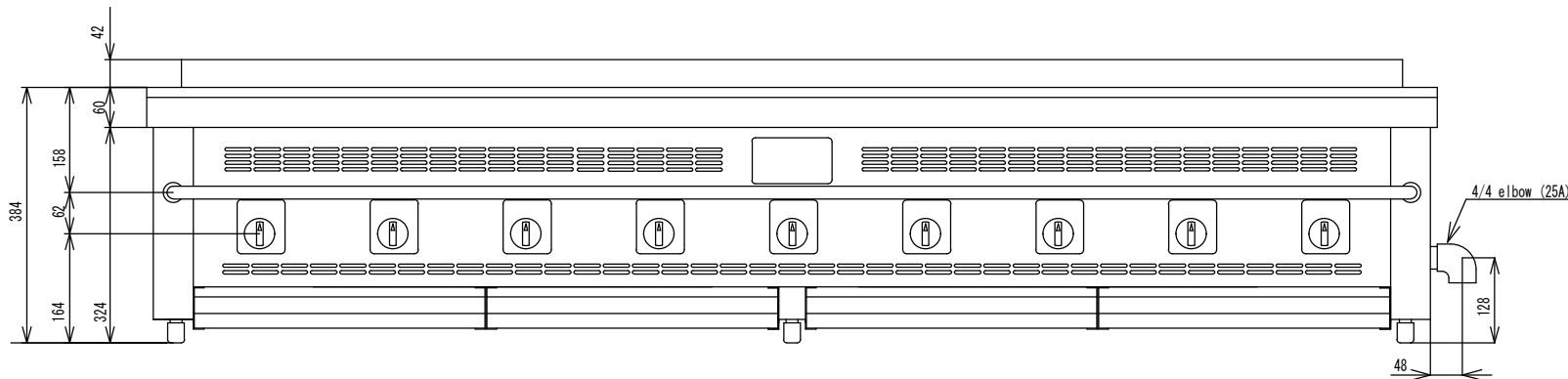
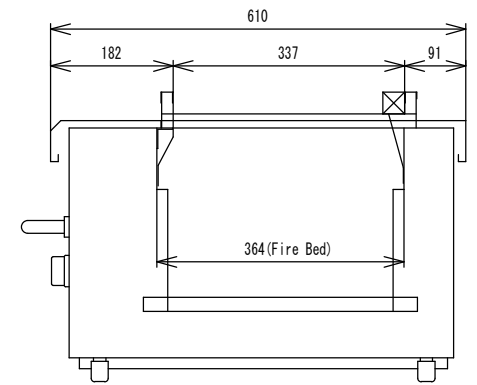


Name of Model	KA-195KL		
Dimension (mm)	Width	1,940	
	Length	610	
	Height	384	
Gas Consumption	Naturalgas	47.2 KW	
	LPG	47.2 KW	
Ignition	Piezo spark ignition		
Gas connection (Inside Dia.)	Naturalgas	4/4 elbow (25A)	
	LPG	4/4 elbow (25A)	
Weight (Kg)	130 Kg		
Clearance from flammable materials (cm)	Around the griller	upper	hood
		side	20
		back	15
		front	—
	Structure of a Floor	Structure of non-combustible	



Kosei Kogyou Co.

Name of Product:

Kosei Charcoal Griller

Model

KA-195KL type