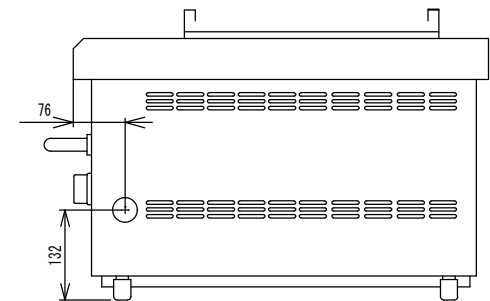
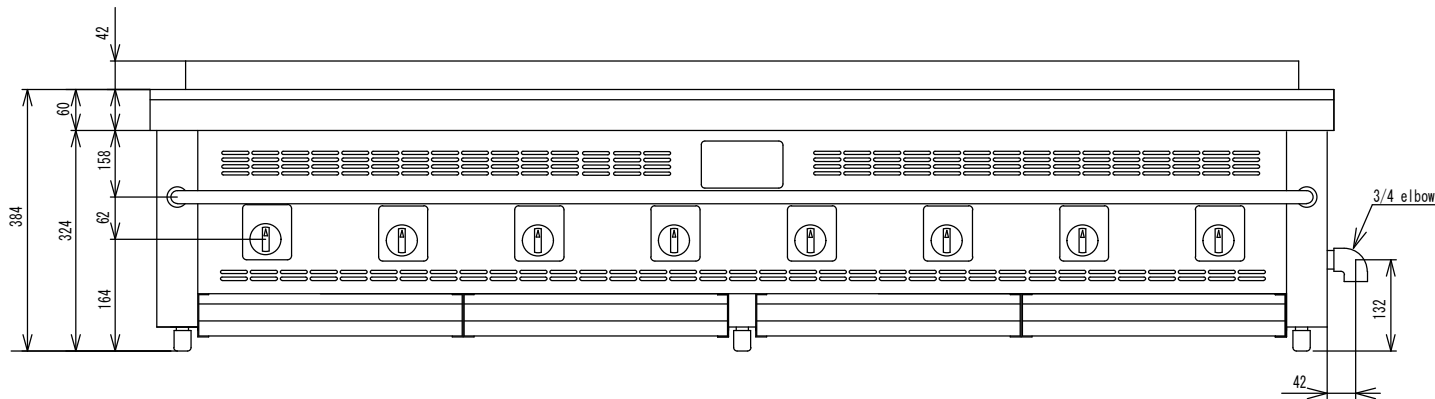
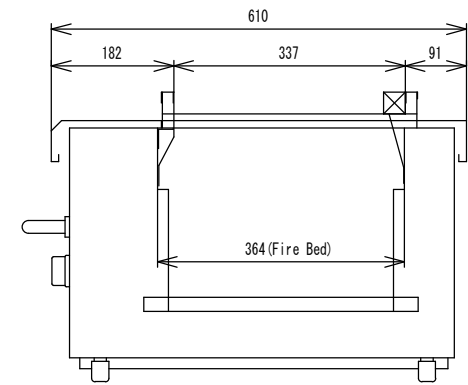


| | | | |
|---|--------------------|----------------------|------------------------------|
| Name of Model | | KA-175KL | |
| Dimension (mm) | Width | 1,740 | |
| | Length | 610 | |
| | Height | 384 | |
| Gas Consumption | Naturalgas | 41.9 KW | |
| | LPG | 41.9 KW | |
| Ignition | | Piezo spark ignition | |
| Gas connection (Inside Dia.) | Naturalgas | 3/4 elbow | |
| | LPG | 3/4 elbow | |
| Weight (Kg) | | 120 Kg | |
| Clearance from flammable materials (cm) | Around the griller | upper | hood |
| | | side | 20 |
| | | back | 15 |
| | | front | — |
| | | Structure of a Floor | Structure of non-combustible |



Kosei Kogyou Co.

Name of Product:
Kosei Charcoal Griller

Model
KA-175KL type