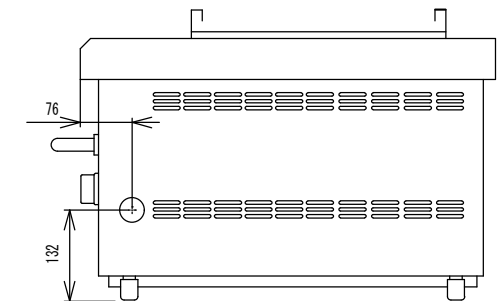
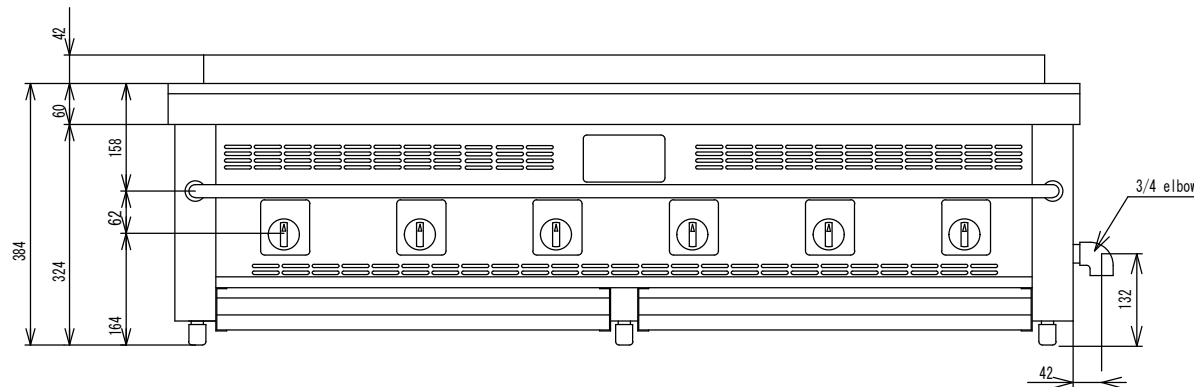
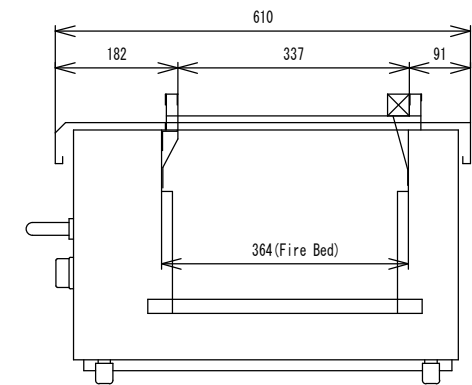


Name of Model		KA-135KL	
Dimension (mm)	Width	1,340	
	Length	610	
	Height	384	
Gas Consumption	Naturalgas	31.4 KW	
	LPG	31.4 KW	
Ignition		Piezo spark ignition	
Gas connection (Inside Dia.)	Naturalgas	3/4 elbow	
	LPG	3/4 elbow	
Weight (Kg)		95 Kg	
Clearance from flammable materials (cm)	Around the griller	upper	hood
		side	20
		back	15
		front	_____
	Structure of a Floor		Structure of non-combustible



Kosei Kogyou Co.

Name of Product:
Kosei Charcoal Griller

Model
KA-135KL type